

SurePress L-6034VW Digital Label Press

Consistent colour.
Outstanding finish.



EPSON
EXCEED YOUR VISION

Create business opportunities

The SurePress L-6034VW inkjet digital label press makes high-quality short-run printing easier and more efficient, streamlining your workflow and adding to your bottom line.

At Epson, we take a personalised interest in your business and want to see it succeed and expand with the use of our technologies. The SurePress L-6034VW is ideal for short to medium run jobs. It features advanced UV ink and varnish capabilities, taking label printing to a whole new level. The printheads, UV inks and hardware are developed by Epson to deliver the best possible performance and reliability.

The press uses CMYK inks with a high opacity white, and innovative digital varnish. The label press delivers precise quality with higher reliability, flexibility, and performance. Our PrecisionCore inkjet technology sets a new standard for quality, productivity and durability in digital label printing.



Ease of use

Your operations will become more flexible. Make-ready time is reduced and substrate and ink changeover is quick and efficient. Operation is simple and maintenance requirements are minimal, which means you'll quickly see an increase in both productivity and profitability.

User-friendly interface, touch-screen operation

The touch-screen panel is extremely simple to use with an easy-to-understand interface that keeps you in control of every aspect of printing. Job configuration can be quickly set and operating status can be readily checked at any time. Settings for specific types of jobs can be saved, so set-up is even faster the next time for repeat jobs.



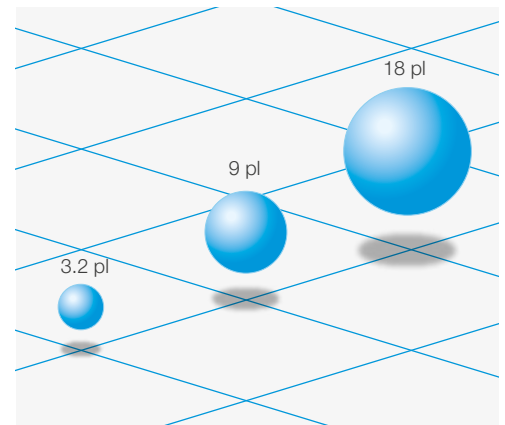
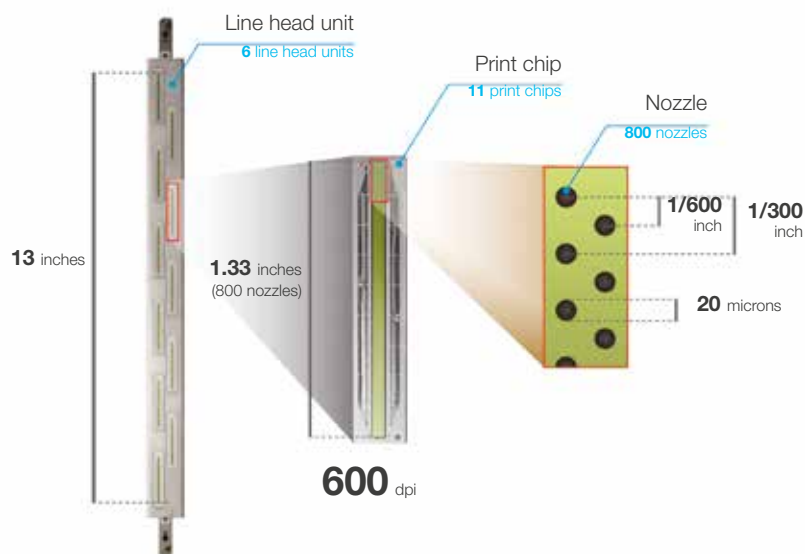
Efficient ink changeover minimises downtime

The ink cartridge draw is easy to access and ink replacement is quick and straightforward with no need to stop the press - simply replace the ink cartridge and continue printing.



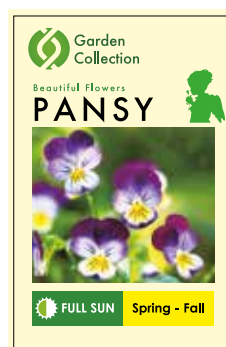
Accurate droplet technology and pin-sharp precision

The PrecisionCore linehead is the key behind the high performance and reliability of the SurePress L-6034VW. Each of the six lineheads is comprised of 11 PrecisionCore print chip modules that employ Variable Size Droplet Technology to deliver precise quality with accuracy and high resolution.



Our new low energy LED-cured UV ink and digital varnish technologies are optimised to work with the PrecisionCore print head. This results in vibrant colour, smooth gradations and ultra-fine text, lines and images.

Variable Size Droplet Technology



Pinning technology

Our sophisticated pinning technology controls the spread of ink dots to achieve fine half-tones, smooth vignettes and pin-sharp detail and text.



White ink

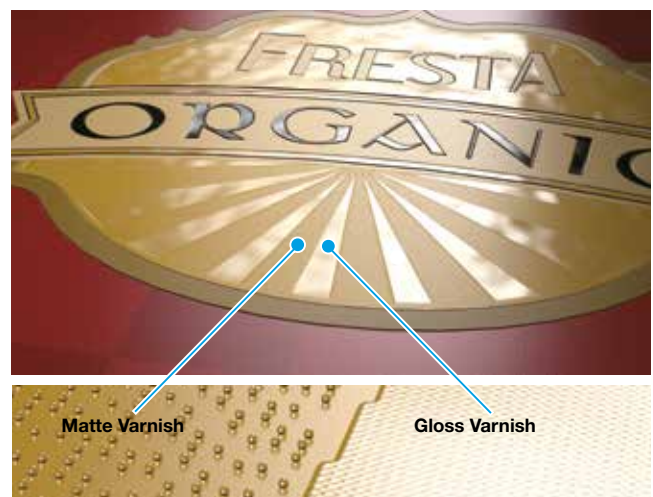
The single pass high-opacity white ink provides the ideal base layer for printing vivid colour on clear or metallised substrates. This bright white ink also gives the ability to print opaque fine text and lines, even when printing clear labels for clear products and offers the flexibility to print white on top of colours.



Digital varnish

With the innovative digital varnish, a gloss or matte finish can be printed selectively or overall. High value and very appealing partial accents can even be added using matte or gloss finish to really lift the visual appearance of specific areas. The different finishes are achieved simultaneously by changing the way the digital varnish is applied.

Spot Varnish



High quality, exceptional durability

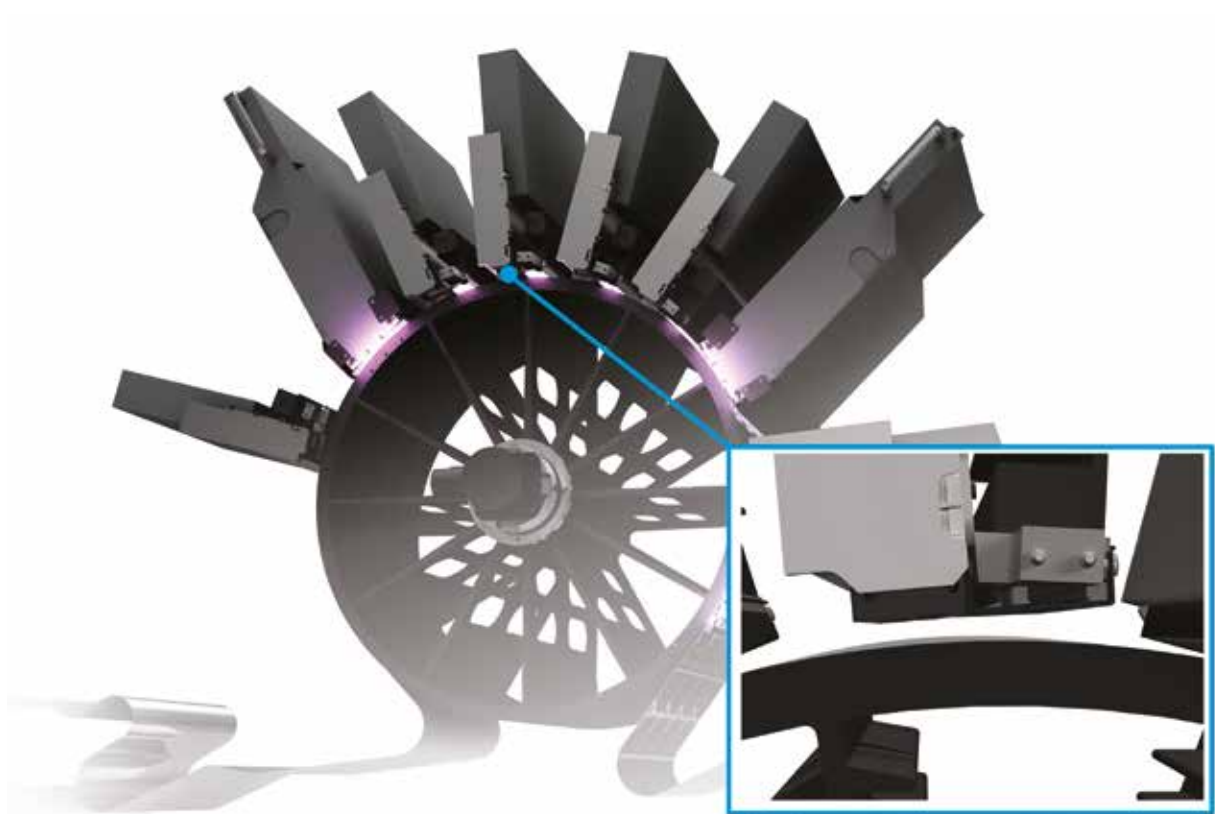
The quick-curing UV ink boosts productivity and offers excellent weather, chemical and scratch resistance, that endures even the most severe environments. Approved under BS5609, the internationally recognised standard for labels used in marine environments.



Central drum system

The central drum system feeds the substrate with high precision to maintain colour-to-colour registration and accuracy. The system minimises the heat expansion or shrinkage of substrates, enabling various types to be used.

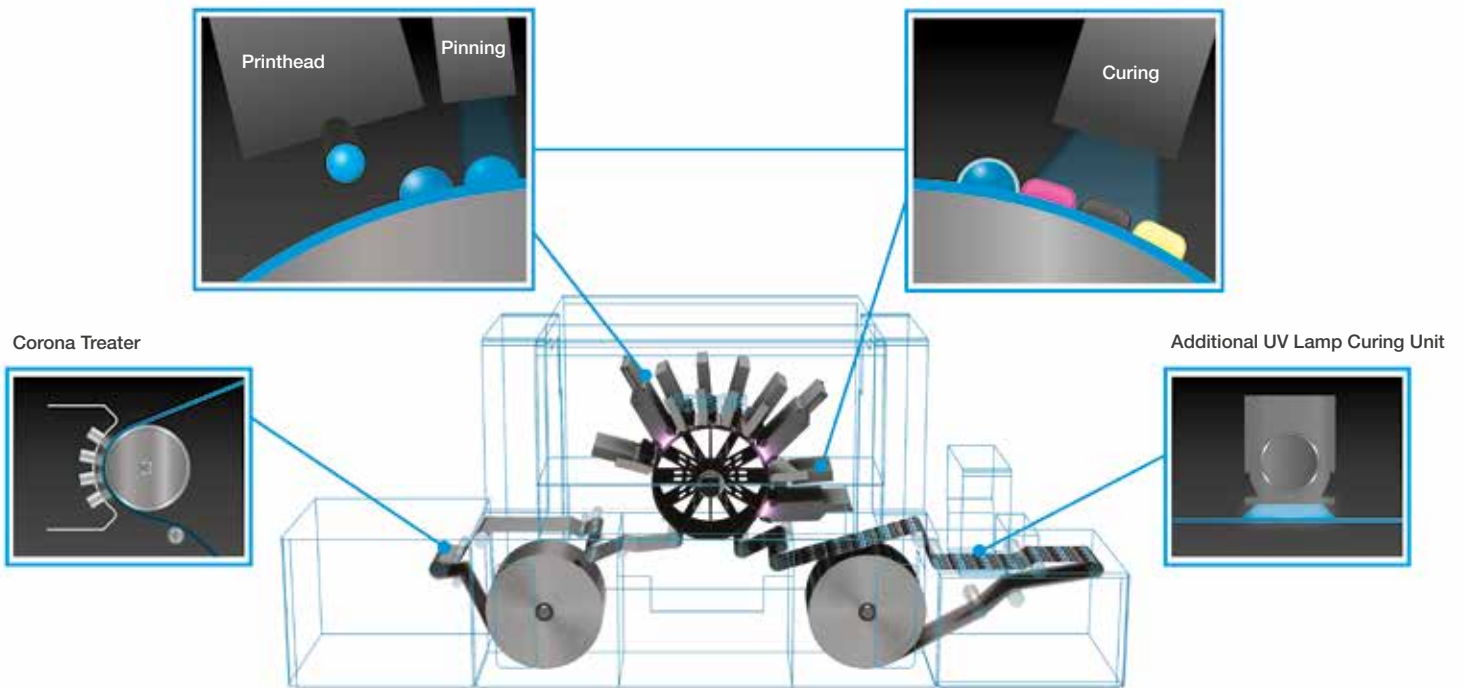
The central drum ensures the small gap between the printhead and substrate is kept to a minimum, which enables the ink to be placed more precisely onto the substrate to enhance colour evenness.



Epson's central drum system

Print gap kept to a minimum

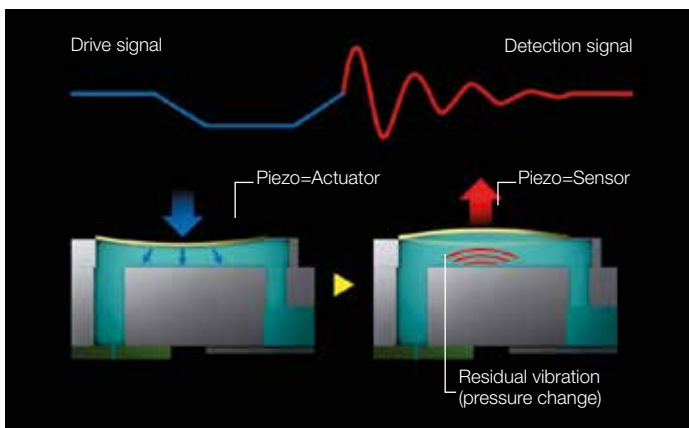
Flexibility is standard



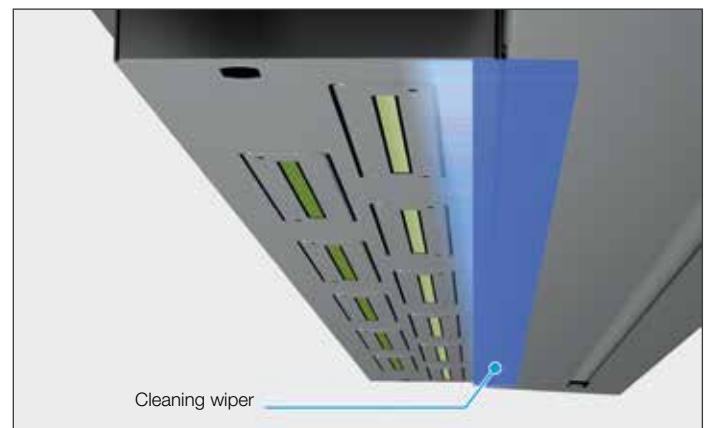
Intelligent automation

Unique to Epson is Nozzle Verification Technology, which can automatically check if a nozzle is firing and can initiate a cleaning cycle if necessary.

Nozzle Verification Technology

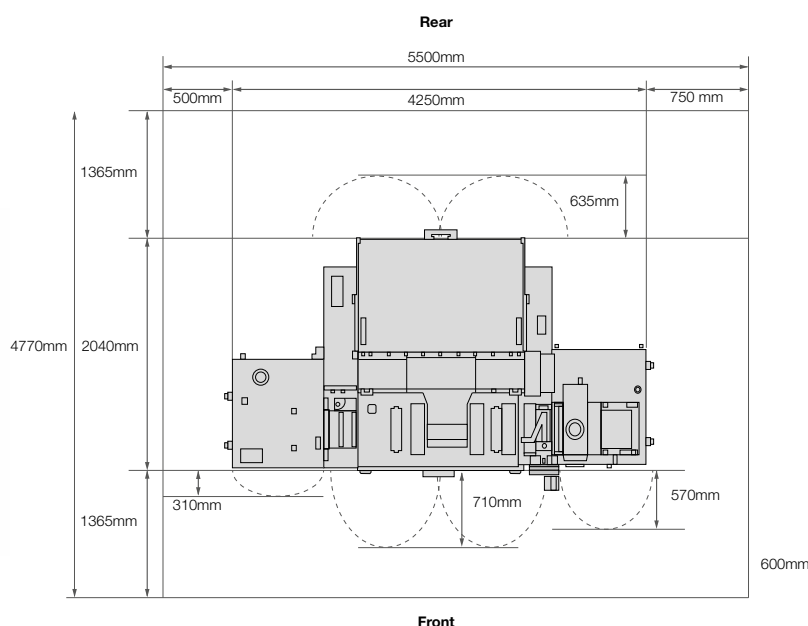


Automatic Cleaning Wiper



Specifications

SurePress L-6034VW	
Print technology	Epson PrecisionCore® linehead inkjet technology
Resolution	600 x 600 dpi
Ink type	LED UV curing inks
Ink cartridges	Black, Cyan, Magenta, Yellow, White, Digital Varnish
Web width	80 mm to 340 mm, adjustable to support any width in this range
Image size	330 mm x 1000 mm maximum
Print speed	Normal mode 15 metres per min
Substrate support	Self-adhesive label stock, PP, PE, PET, Yupo, cast coated, coated and uncoated paper, and foil
Substrate thickness	80 to 320 microns
Unwinder capacity (max)	100 kg Weight/600 mm Diameter with 76.2 mm inner core
Network connectivity	Ethernet 1000 Base-T
Dimensions of Press (WxDxH)	4250 mm x 2285 mm x 2485 mm
Weight	2710 kg



A2723-brochure-hires-en-INT-SurePress-L-6034VW

**Better Products
for a Better Future™**



PRECISION**CORE™**



Epson CoverPlus

Fast. Reliable. Professional

Epson Finance Solutions

EPSON AUSTRALIA
3 Talavera Road
North Ryde NSW 2113
1300 361 054
www.epson.com.au

EPSON NEW ZEALAND
Level 2 7-9 Fanshawe
Auckland 1010 New Zealand
0800 237 766
www.epson.co.nz

ABN 91 002 625 783
07/17

EPSON
EXCEED YOUR VISION

Product specifications are subject to change without notice.
Trademarks and registered trademarks are the property of Seiko Epson Corporation or their respective owners.